

Saramonic

Sound.Remarkable. 音·非凡

Smartphone Video Kit with Stabilizing Rig and Microphone 摄影手柄稳定器套装

VGM

User Manual
用户手册

Statement

Please read this manual carefully before using and strictly operate and store in accordance with the instructions. Please save it for your future reference. If you require further assistance, please contact your retailer for support or email us: info@saramonic.com.

1. Do not use the unit underwater, don't expose it to rain. Please store it in a cool, dry place.
2. Please use and store it in normal temperature. Do not move it from overheated to supercooled condition frequently as well as keep away from heat sources such as heater and oven.
3. Keep free of dirt, dust and moisture when in use and in storage.
4. Avoid violent impact.
5. Make sure the smartphone and microphone are securely mounted to avoid dropping.
6. Do not exceed the maximum load capacity..

声明

使用产品前请仔细阅读本说明书，并严格按照说明操作和存放。请妥善保存以备参考。如果说明书不能完全解决您的问题，请咨询您的零售商或发邮件至 info@saramonic.com 询问我们。

1. 请不要在水下使用，不要让它暴露在雨中。请把它存放在阴凉干燥的地方。
2. 请在常温下使用和保存。不要让设备处于冷热交替的环境并远离热源，如加热器和烤箱。
3. 使用和保存产品时，请注意灰尘和水分。
4. 小心剧烈碰撞。
5. 确保手机和麦克风安装到位，避免意外跌落。
6. 请不要超过最大负载能力。

Introduction

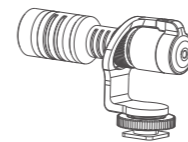
Designed to be a versatile and expandable smartphone video kit, the VGM is perfect for content creators, vloggers, smartphone videographers, and much more. The VGM comes with a Vmic Mini microphone, a smartphone clamp, a hand strap, a 1/4"-20 male tripod mount, a double-sided rail, two cold shoe mounts, two hand grips, and two single-side rails. Allowing flexible configurations to attach LED lights, microphones, mixers, wireless microphone receivers, and other accessories to the VGM with the option of one, or two handed video stabilization.

产品介绍

VGM 是多功能的手机摄影套装，适用于大多数手机用户，包括摄影爱好者，视频制作者，主播等人群。本套装配有一个 Vmic Mini 麦克风，手机夹，腕带，1/4"-20 支架固定座，一条单层轨道，两个手柄，两个标准冷靴座，两条双层轨道。便于各种类型的组合，可以在 VGM 上附加 LED 灯、麦克风、混音器、无线接收器等其他配件。

Items Included 产品结构

Vmic Mini Microphone
Vmic Mini 麦克风



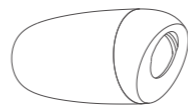
Hand Grip×2
手柄 ×2



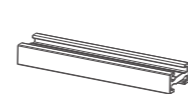
Smartphone Clamp
手机夹



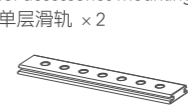
Foam Windscreen
防风棉



Double-sided Rail
双层滑轨



Single-sided Rail×2
(1/4"-20 threaded hole for accessories mounting)
单层滑轨 × 2



1/4"-20 Male Post Adapter
1/4"-20 支架固定座



Cold shoe mount×2
冷靴座 × 2



Tie-Down Screw×2
锁紧螺母 × 2



3.5mm TRS to TRS Output
Cable for Cameras
3.5mm TRS 转 TRS 相机
转接线



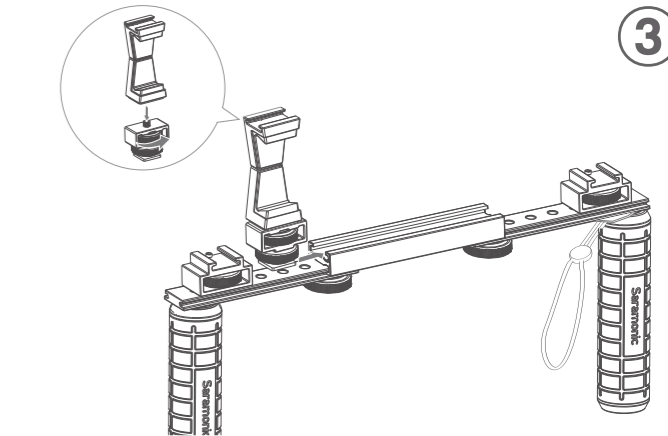
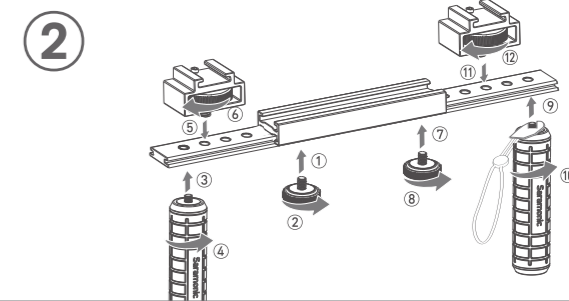
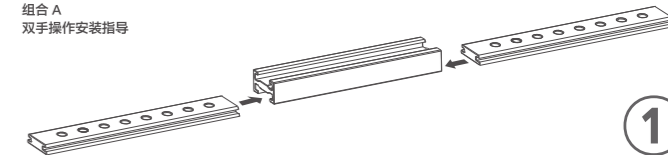
3.5mm TRS to TRRS
Output Cable for
Smartphones
3.5mm TRS 转 TRRS
手机转接线



Hand Strap
腕带



Setup A Two-Hand Grip Stabilization 组合 A 双手操作安装指导

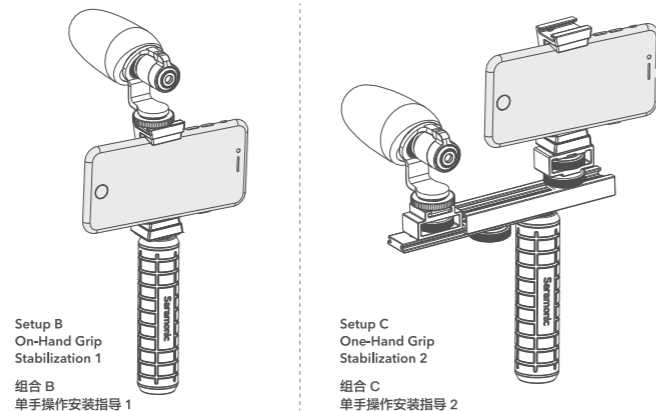
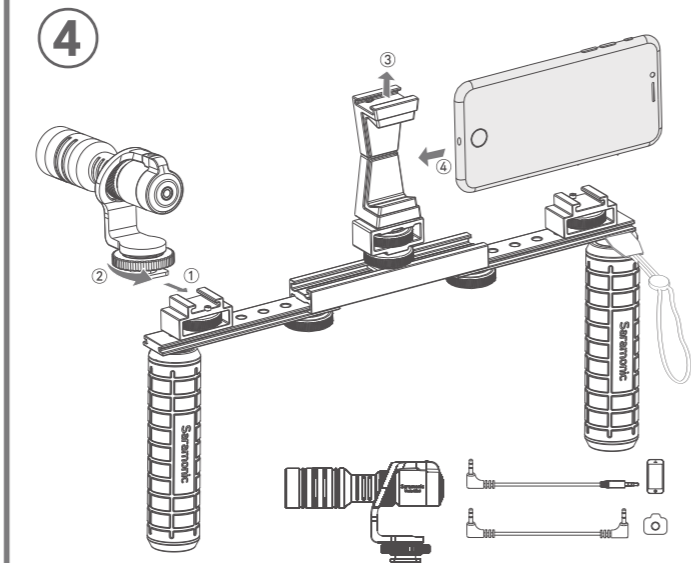




Scan the QR code and follow us!
扫描微信关注枫笛公众号

Shenzhen Jiayz Photo Industrial, Ltd
深圳市长丰影像器材有限公司
A16 Building, Intelligent Terminal Industrial Park of Silicon Valley
Power, Guanlan, Longhua District, Shenzhen, China
深圳市龙华区观澜街道大富工业区硅谷动力智能终端产业园 A16 栋

400-613-1096 www.saramonic.com info@saramonic.com



Setup B
On-Hand Grip
Stabilization 1
组合 B
单手操作安装指导 1

Setup C
One-Hand Grip
Stabilization 2
组合 C
单手操作安装指导 2

Specification

Microphone	Vmic Mini
Type	14mm Unidirectional Condenser Microphone
Frequency Range	75Hz to 20kHz
Sensitivity	-35±3dB(0dB=1V/Pa,at 1KHz)
Maximum input S.P.L	f=1kHz, THD<5% (105 dB)
Output Impedance	200 ohm
Signal-to-Noise Ratio	75 dB SPL
Power Requirement of Microphone	Plug-in power
Dimensions	Microphone: 62 x 117 x 19mm (2.4 x 4.6x0.8") Slider Tracks Length: 110mm (4.3")
Maximum Capacity	5kg (11 lb)
Weight	Microphone: 69g (2.4 oz.) Grip Kit: 483.5g (17.1 oz.)

Features

Compact smartphone video kit with stabilizing grip and microphone
Intuitive design, ideal for handheld shots
Rugged aluminum-alloy construction
Easy to set up and break down
Supports up to 11 lb capacity
Built-in 1/4"-20 threads for accessory mounting options
Ergonomic hand grips that are designed for comfort

参数

麦克风型号	Vmic Mini
类型	14mm 指向型电容麦克风
频率响应	75Hz to 20kHz
灵敏度	-35 ± 3dB(0dB=1V/Pa,at 1KHz)
最大声压级	f=1kHz, THD < 5% (105 dB)
输出阻抗	200 ohm
信噪比	75 dB SPL
电源	外接电源
尺寸	麦克风: 62 x 117 x 19mm (2.4 x 4.6x0.8") 滑轨长度: 110mm (4.3")
最大承载量	5kg (11 lb)
重量	麦克风重量: 69g (2.4 oz.) 手柄套装重量: 483.5g (17.1 oz.)

产品特点

轻便手机拍摄手柄套装
直观操作, 便于手持拍摄
坚固铝合金结构
易安装易拆卸
五公斤承载量
1/4"-20 螺丝孔, 用于附件安装
舒适手柄结构